

E12

User Manual





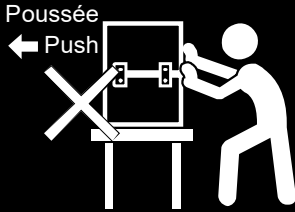
WARNING
AVERTISSEMENT

ALWAYS FOLLOW SAFETY PRECAUTIONS
RESPECTEZ TOUJOURS LES CONSIGNES DE SÉCURITÉ

- Death or serious injury may occur when children climb on audio and/or video equipment furniture. A remote control or toys placed on the furnishing may encourage a child to climb on the furnishing and as a result the furnishing may tip over on to the child.
- Relocating audio and/or video equipment to furniture not specifically designed to support audio and/or video equipment may result in death or serious injury due to the furnishing collapsing or over turning onto a child.
- Il y a un danger de blessures graves ou même de mort si un enfant grimpe sur un meuble pour matériels audio ou vidéo. Une télécommande ou un jouet laissés sur le meuble peuvent inciter l'enfant à y grimper, ce qui peut provoquer le basculement du meuble sur l'enfant.
- Le repositionnement de matériels audio ou vidéo sur un meuble non spécialement conçu pour cela peut causer la mort ou des blessures graves par effondrement ou renversement du meuble sur un enfant.

Secure the cabinet
to avoid fall down.

Sécurisez l'armoire pour
éviter qu'elle soit tombée.



Only Adults should
move the cabinet.

L'armoire ne doit être
déplacé QUE PAR DES

ADULTES.



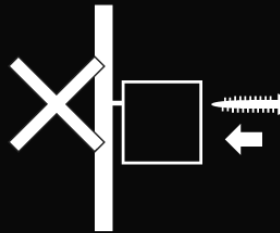
Never climb, sit or
stand on the cabinet.

Personne ne doit s'asseoir,
se tenir ou grimper sur
armoire.



Never mount the
station to a wall.

NE jamais fixer
l'armoire au mur.



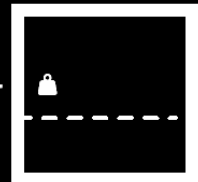
⚠ CAUTION

This cabinet is intended for use only with loading as indicated. Use with loads greater than indicated may result in instability causing possible injury.

⚠ MISE EN GARDE

Cette carrosserie est conçue pour n'être utilisée qu'avec une charge telle qu'indiquée. L'utilisation avec des charges supérieures aux indiquées peut rendre le chariot instable et causer des blessures.

$\leq 84\text{lbs (38.1kg)}$



CAUTION

- **DO NOT** allow anyone to sit, stand or climb on the station.
- **DO NOT** lift the station.
- **DO NOT** block the ventilation holes used for air circulation.
- **DO NOT** overload objects on the station shelves. (shelf maximum loading = 38.1kg / 84lbs).
- **DO NOT** put any devices that exceed the maximum loading weight on the shelf of station.
- **DO NOT** put any devices (e.g. TV, Monitor, Documents camera, etc.) on top of the station.
- **DO NOT** use any TV/monitor/display on top of the station.
- Before moving the station, disconnect the power from the wall outlet.
- When moving the station, make sure the power cord is firmly plugged into the socket and confirm main earth connection.
- When disconnecting the AC power cord, be absolutely sure to first disconnect the plug from the outlet socket.
- The socket-outlet shall be installed near the equipment and shall be easily accessible.

ATTENTION !

- **PERSONNE** ne doit s'asseoir, se tenir ou grimper sur armoire.
- **IL NE FAUT PAS** soulever armoire.
- **IL NE FAUT PAS** obstruer les orifices de ventilation qui permettent à l'air de circuler.
- **IL NE FAUT PAS** surcharger d'objets les étagères du armoire (charge maximale de l'étagère : 38.1kg / 84lbs).
- **NE PAS** placer d'appareils dont le poids dépasse la charge maximale sur l'étagère de l'armoire.
- **IL NE FAUT** poser aucun appareil (poste de TV, moniteur, caméra pour documents, etc.) sur le haut dudit armoire.
- N'utilisez aucun téléviseur ni moniteur sur le haut du armoire.
- Avant de déplacer le armoire, débranchez la prise secteur.
- Avant de démarrer le système, assurez-vous que le cordon d'alimentation est branché adéquatement sur une prise de courant ainsi que la connexion principale de mise à la terre soit établie.
- Lors de la déconnexion du cordon d'alimentation, soyez absolument certains que la fiche a été retirée de la prise de courant.
- La prise secteur doit être installée près de l'appareil et être facilement accessible.

Federal Communications Commission Statement

NOTE: This equipment has been tested and found to comply with the limits for a Class A digital device, pursuant to part 15 of the FCC Rules. These limits are designed to provide reasonable protection against harmful interference when the equipment is operated in a commercial environment. This equipment generates, uses, and can radiate radiofrequency energy and, if not installed and used in accordance with the instruction manual, may cause harmful interference to radio communications. Operation of this equipment in a residential area is likely to cause harmful interference in which case the user will be required to correct the interference at his own expense.

FCC Caution: Any changes or modifications not expressly approved by the party responsible for compliance could void the user's authority to operate this equipment.

This device complies with part 15 of the FCC Rules.

Operation is subject to the following two conditions:

- (1) This device may not cause harmful interference, and
- (2) this device must accept any interference received, including interference that may cause undesired operation.

European Community Compliance Statement (Class A)



This product is herewith confirmed to comply with the requirements set out in the Council Directives on the Approximation of the laws of the Member States relating to Electromagnetic Compatibility Directive 2014/30/EU.

Warning: This is a class A product. In a domestic environment this product may cause radio interference in which case the user may be required to take adequate measures.

DISCLAIMER

No warranty or representation, either expressed or implied, is made with respect to the contents of this documentation, its quality, performance, merchantability, or fitness for a particular purpose. Information presented in this documentation has been carefully checked for reliability; however, no responsibility is assumed for inaccuracies. The information contained in this documentation is subject to change without notice.

In no event will AVer Information Inc. be liable for direct, indirect, special, incidental, or consequential damages arising out of the use or inability to use this product or documentation, even if advised of the possibility of such damages.

TRADEMARKS

"AVer" is a trademark owned by AVer Information Inc. Other trademarks used herein for description purpose only belong to each of their companies.

COPYRIGHT

©2021 AVer Information Inc. All rights reserved.

All rights of this object belong to AVer Information Inc. Reproduced or transmitted in any form or by any means without the prior written permission of AVer Information Inc. is prohibited. All information or specifications are subject to change without prior notice.



The mark of Crossed-out wheeled bin indicates that this product must not be disposed of with your other household waste. Instead, you need to dispose of the waste equipment by handing it over to a designated collection point for the recycling of waste electrical and electronic equipment. For more information about where to drop off your waste equipment for recycling, please contact your household waste disposal service or the shop where you purchased the product.

Before running the system, make sure the power cord is firmly plugged into the socket and confirm main earth connection.

CAUTION

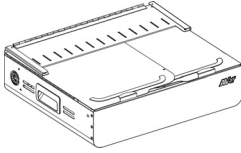
When disconnecting the AC power cord, be absolutely sure to first disconnect the plug from the outlet socket.

CONTENTS

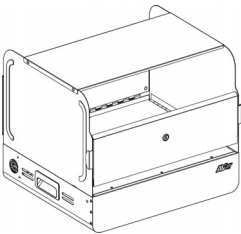
Contact Information	5
Package Contents	1
Tools Required	2
Dimensions	3
Diagram	3
Front and Back	3
Sides	4
Top and Bottom	4
Installation	5
Step 1: Install door lock cover (Optional)	6
Step 2: Connect the power cord to a wall outlet	7
Step 3: Adapter configuration	8
Step 4: Extend and fix the sides of the chassis	9
Step 5: Insert dividers into the slots on the shelf	10
Step 6: Cable management	11
Step 7: Install top cover (Optional)	12
Step 8: Secure the charging station (Optional)	12
Desk mount (Optional)	13
Troubleshooting	14
Specifications	15
Service and Warranty	16
Appendix – Earthing	17

Package Contents

The following items are included in the package. Please check if each item is available before installing.



(folded)



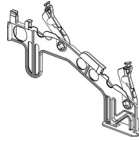
**(Unfolded)
E12 Station**



Lock key x 2



User Manual



Divider x 13



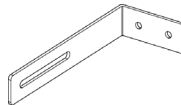
Power Cord



**Flat head screw x 11
(M4x5L)**



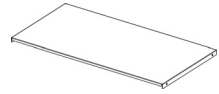
**Umbrella head screw x 4
(M4 x 5L)**



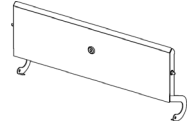
**L- Shaped mounting
bracket x 2**



Washer x 6



Top cover x 1



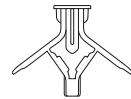
Door lock cover x 1



Snap rivet x 8



Concrete anchor x 6



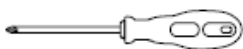
Drywall anchor x 6



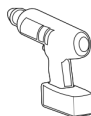
Anchor screw x 6

Tools Required

See the assembly instructions for the tools you'll need to use

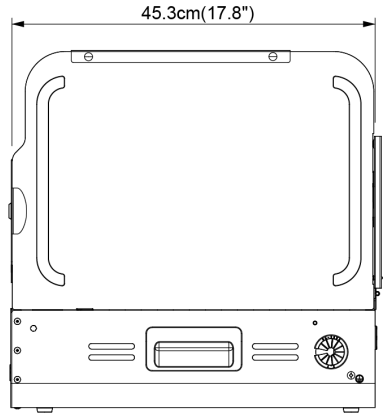
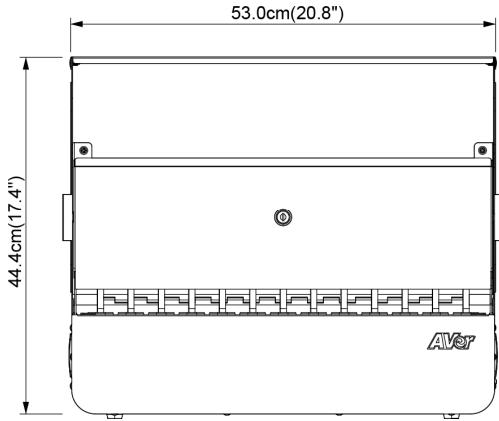


Screwdriver
(For station use)



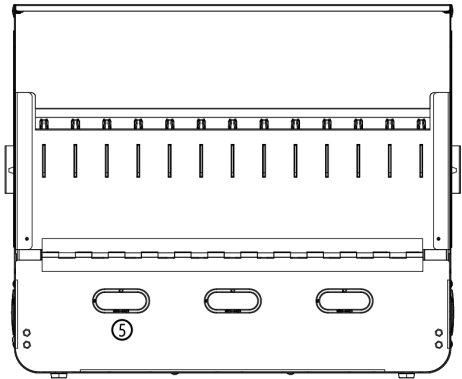
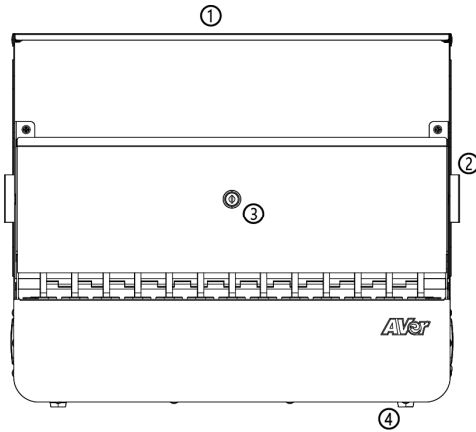
Drill
(For desk mount use)

Dimensions

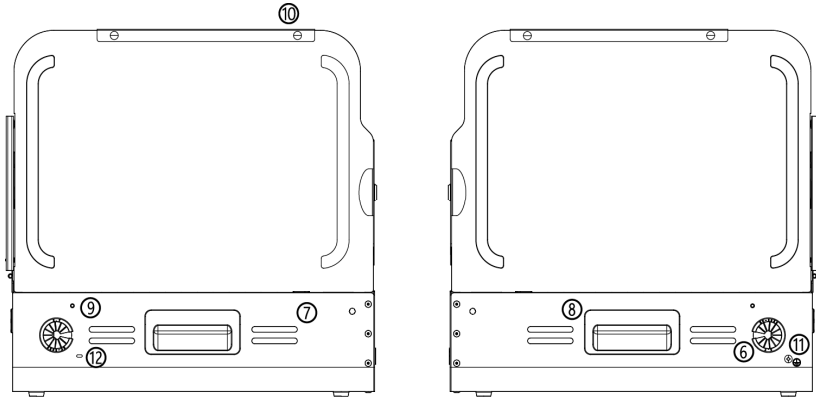


Diagram

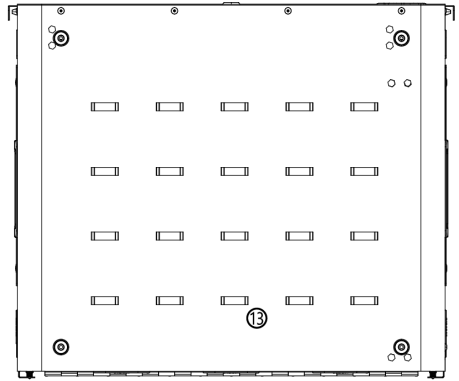
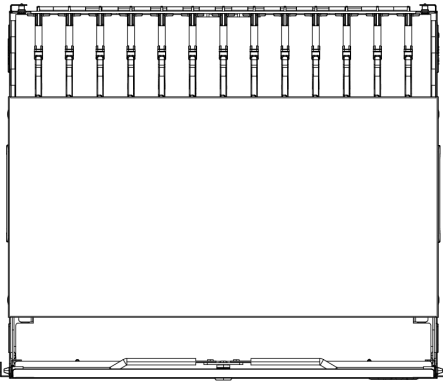
Front and Back



Sides



Top and Bottom


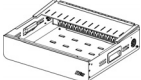
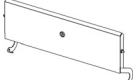








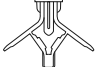




Front and Back	Sides	Top and Bottom
1. Top cover	6. Power cable hole	13. Ventilation holes
2. Finger pull	7. Ventilation holes	
3. Door lock	8. Handle	
4. Foot rubber	9. Fix Plate holes	
5. Adapter cable holes	10. Snap Rivet holes	
	11. Ground	
	12. Antitheft Slot	

Installation

Please check that you have taken out all package contents out and the numbers of each item is correct before getting started.

Parts list

A Charging station			
			
Chassis	Adapter drawer	Door lock cover	Top cover
			
Divider x 13	Power Cord	Flat head screw x 11	Umbrella head screw x 4
			
Snap rivet x 8			
B Desk mount (optional)			
			
L- Shaped bracket x 2	Concrete anchor x 6	Drywall anchor x 6	Anchor screw x 6
			
Washer x 6			

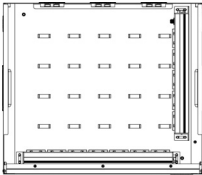
Before installing the charging station

1. Be sure to reserve enough space for installation. It is recommended to reserve at least 47.2"(W)* 35.42"(D) inches.
2. It is recommended to allocate 2 people for efficient assembly.

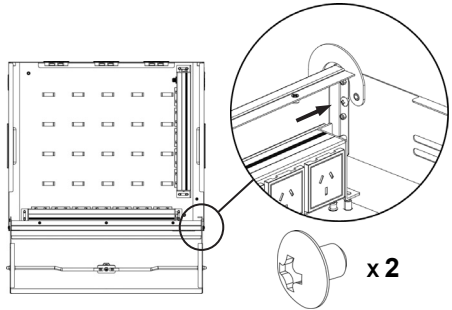
Step 1: Install door lock cover (Optional)

First, attach the door lock cover hole on the nut column, and then install the door lock cover using **2 x umbrella head screws** into the adapter drawer.

1



2



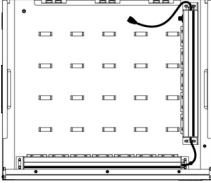
[Note]

It is recommended to use a **long screwdriver** to tighten screws.

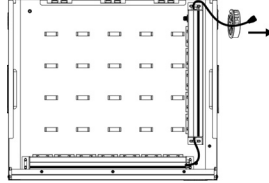
Step 2: Connect the power cord to a wall outlet

1. Remove the packing material of the power cord / power strip.
2. Feed the power cord through the hole provided.
3. Connect the power cord to the power strip and a wall outlet.

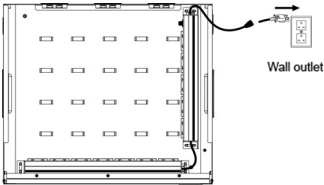
1



2



3

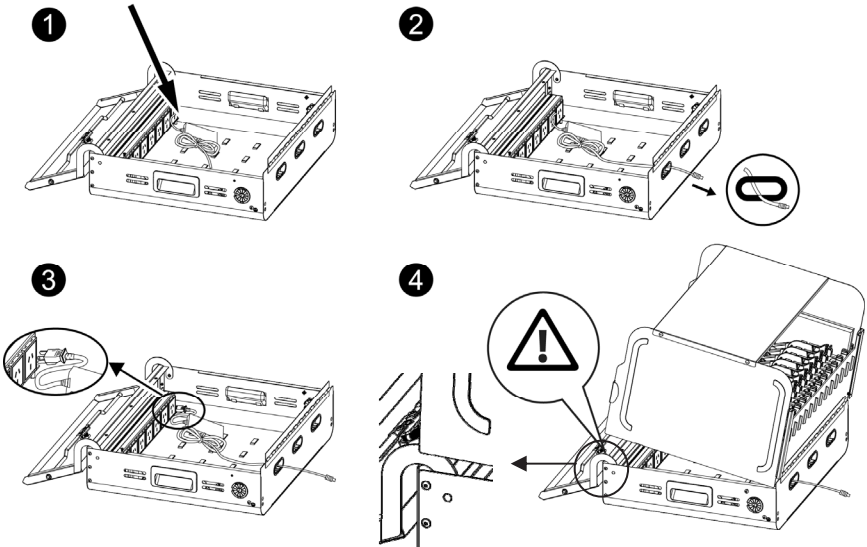


[Note]

- Set the power socket to the OFF position before plugging the charging station to wall outlet.
- The power inlet and power cord type may vary as they are country dependent.

Step 3: Adapter configuration

1. Place the power adapter onto the adapter drawer in order.
2. Pass the DC-end of the adapter cable through the hole located on the back of the adapter drawer.
3. Plug-in the AC-end of the adapter cable to the power AC socket.
4. Watch your hand when you place the chassis on the adapter drawer. Please make sure the chassis is placed along the edge of the door lock. (The chassis faces outwards, the door lock face inwards)

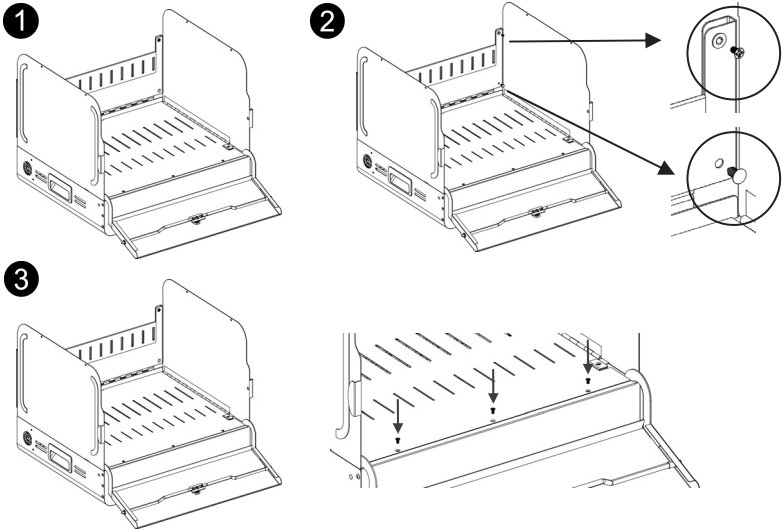


[Note]

Please place the power adapter onto the adapter drawer in order, don't stack the adapters.

Step 4: Extend and fix the sides of the chassis

1. Extend the sides of the chassis out at right angles.
2. Insert **2 x flat head screws** and **2 x snap rivets** through the hole located on the corners of the rear plate. Each corner has one on the top and one on the bottom (4 screws / snap rivets total).
3. Fix the chassis on the adapter drawer with **3 x flat head screws**.

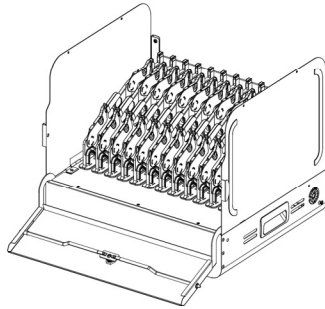
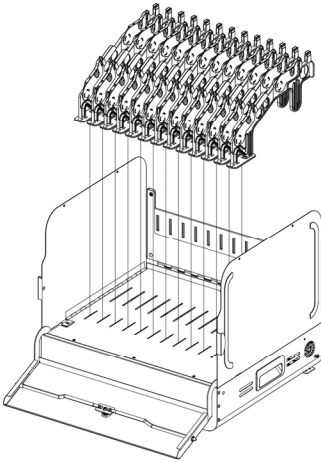
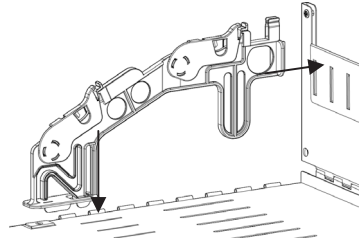
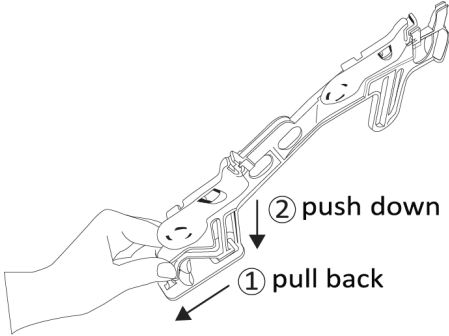


[Note]

- It is recommended to use a **long screwdriver** to tighten screws.
- It is recommended to allocate 2 people for efficient assembly.

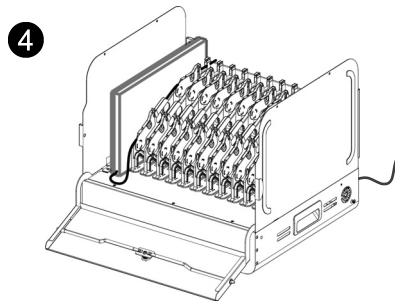
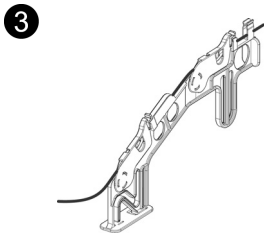
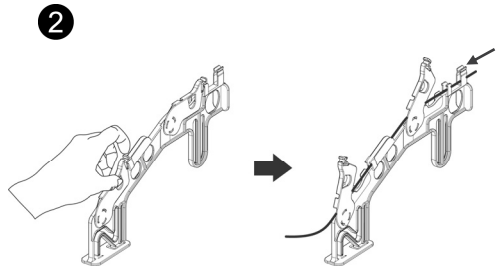
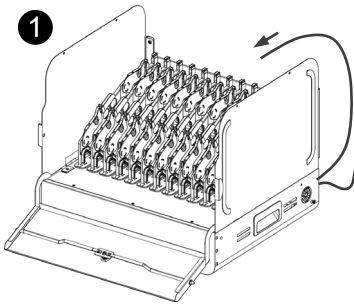
Step 5: Insert dividers into the slots on the shelf

Insert **13 x dividers** into the slots on the shelf. Ensure that all dividers are properly seated.



Step 6: Cable management

1. Determine the length of power cable that is needed to reach from the hole located on the back of adapter drawer to the devices.
2. Route the adapter DC-end cable. Along with the V-shape routing groove.
3. Snap the locking piece until hear a "click" to firmly secure the DC-end cable.
Remember to reserve enough length of power cable to connect the power plug of the device.
4. Place the mobile device into the bay and plug in the DC-connector to the mobile device.

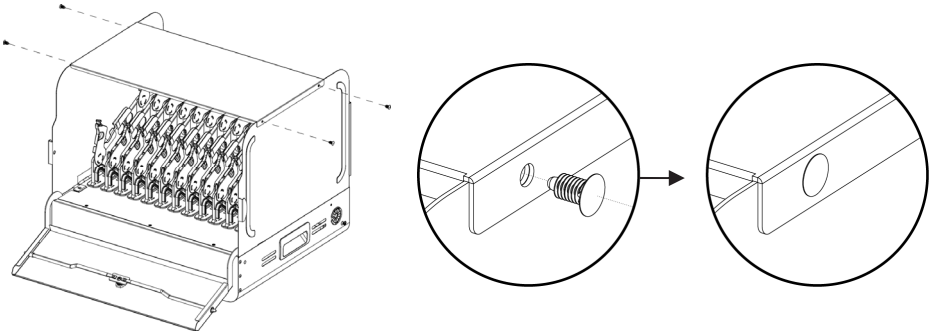


[Note]

It is recommended to allocate 2 people for efficient device cabling.

Step 7: Install top cover (Optional)

Place the top cover on the top of both sides. Use **4 x snap rivets** on the two outer holes on both sides to prevent removal.

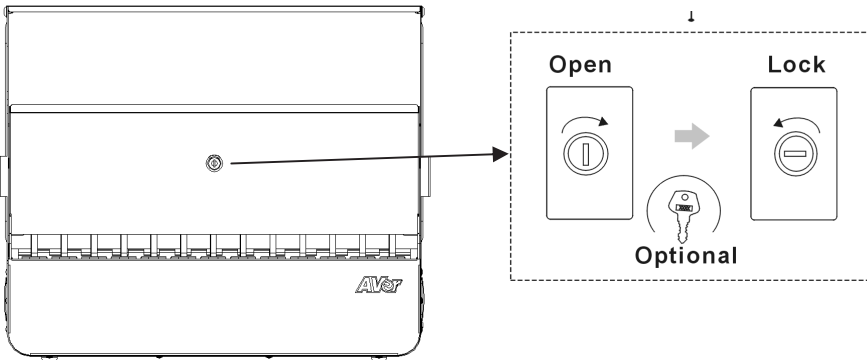


[Note]

If you insert the snap rivet into the wrong hole, it is recommended to remove it with a scissor and then reinstall with a new snap rivet.

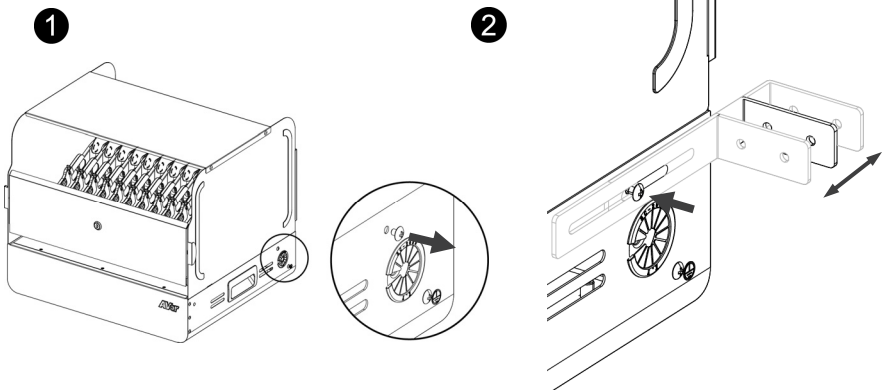
Step 8: Secure the charging station (Optional)

For security, use the lock key to secure the door.



Desk mount (Optional)

1. Remove the pre-installed screws on the top of cable grommet on each side (See the figure as below for exact locations).
2. Determine the appropriate L- shaped mounting bracket location and fix **2 x L- shaped mounting bracket** with screws.
3. Secure the station to the wall studs for drywall mounting. Drill the holes at the wall studs through the drywall, and firmly tap **4 x drywall anchors** in until they are flush with the wall.
4. For concrete wall mounting, please use **4 x concrete anchors** and fully flush the anchors to the drilled holes.
5. Secure the charging station to the wall with **4 x anchor screws** (with **4 x washers**).



[Note]

- Please note that the charging station needs to be placed on the desk. The unit may be secured to the surface by inserting 2 screws appropriately.
- The station must be installed by a qualified technician. Use suitable mounting means when installing to cinder block, concrete or drywall.
- It is recommended to use a screwdriver to loosen the screws.

Troubleshooting

Q: Why are all of my devices plugged in but not charging?

A: 1. Make sure power cords are undamaged.

2. Make sure power cords are firmly inserted into the available socket with stable current.

3. Make sure the power plug and current consumption are compliant with your country specification standards.

Q: My station's main power cord or station components are damaged. Are they covered under warranty?

A: We provide a 10 year warranty on the station and main frame, and 5 years warranty on the electrical components.

Q: How do I know if my devices will exceed more than the allotted current?

A: Have a qualified electrician verify the current consumption of your devices.

Perform the test with devices installed and batteries discharged.

Q: When I plug in the device it trips the circuit breaker. What is wrong?

A: You may have other equipment or appliances sharing the same circuit that is causing a circuit overload. Have a qualified electrician check that adequate power is available in the circuit.

Specifications

Model	E12
Capacity	12
Supported Devices	Mobile devices up to 15.6"
Charging Type	Fully Charging
Power Specification	Power Strip: 220-240V ~ 50/60Hz, 8A
Security	Door Lock cover: 2 points mechanism with key lock function.
Fixed Shelf	Yes
Shelf Support Weight(ea.)	38.1 kg (84lbs)
Adapter Shelves(ea.)	6.35 kg (14lbs)
Working Temperature	0°~30°C
Working RH%	10%~90%
Storage Temperature	-40°C~60°C
Storage RH%	5%~95%
Warranty	10 years station and tray 5 years electrical components
Station Dimensions (W x D x H)	Unfolded 527(W) ×453.4 (D) × 444.7 (H)mm 20.75"(W)×17.85"(D)×17.5" (H) Folded 527(W) ×453.4 (D) × 123 (H)mm 20.75"(W)×17.85"(D)×4.84" (H)
Slot Dimensions (W x D x H)	30 (W)×425.8(D)×311.3(H) mm 1.18"(W)×17.76"(D)×12.26"(H)
Weight without Devices	20 kg (44.09 lbs) ± 3 kg(6.61 lbs)

[Note]

- **Supported Devices:** please check actual device size, including power cable for compatibility with device compartment size. If in doubt please contact AVer for confirmation.
- Specifications are subject to change without prior notice.

Appendix – Earthing

[Caution]

High touch current, Connect to earth before connecting to supply.

(Yellow/Green wire min. 14AWG)

[Note]

Installation of the protective earthing connection of the socket-outlet by a skilled person.

[Attention]

Contact à courant élevé,

Reliez l'appareil à la terre avant de la connexion à l'alimentation en courant.

(Câble jaune/vert min. 14AWG)

[Remarque]

L'installation du branchement de mise à la terre sécurisée d'une prise de courant par un professionnel qualifié.

